

COLLECTION

F.P.JOURNE  
Invenit et Fecit







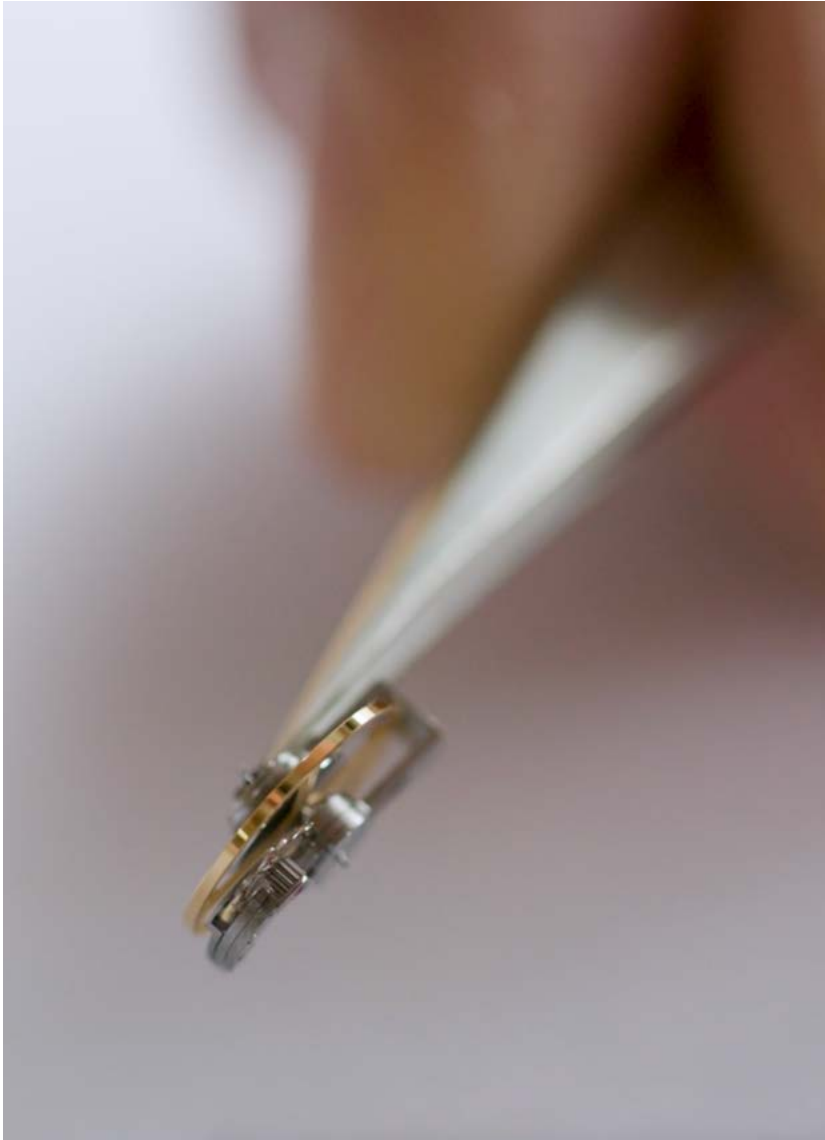
ENTIRELY INVENTED AND MANUFACTURED IN-HOUSE



F.P.JOURNE  
Invenit et Fecit







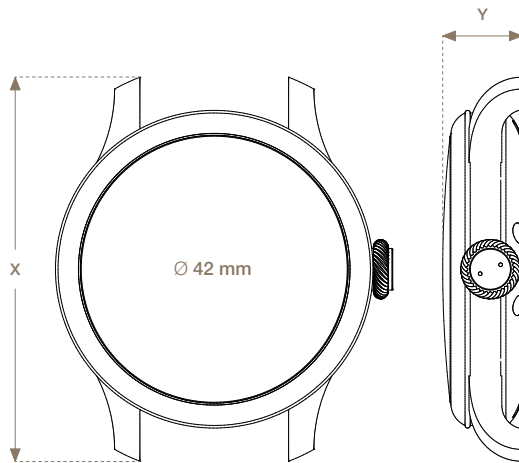
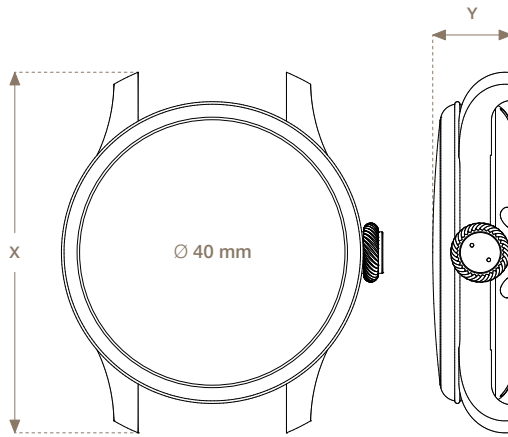
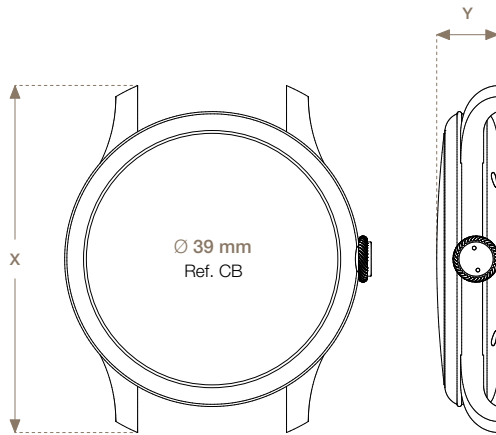
Tourbillon carriage  
Calibre 1519





Montres Roger Dubois

Geneve



**CASES DIMENSIONS**  
CLASSIQUE COLLECTION

<b>Models</b>	<b>X</b>	<b>Y</b>	
<b>CB</b>	46.60	8.30	mm
<b>CS</b>	48.20	8.00	mm
<b>AN</b>	48.60	10.70	mm
	51.60	10.70	mm
<b>AL2</b>	48.60	10.70	mm
	51.60	10.70	mm
<b>LN</b>	48.60	10.70	mm
	51.60	10.70	mm
<b>DN</b>	48.60	10.70	mm
	51.60	10.70	mm
<b>QP</b>	48.60	10.85	mm
	51.60	10.85	mm
<b>CO</b>	48.50	9.50	mm
	52.70	9.50	mm
<b>RQ</b>	48.50	10.80	mm
	52.45	10.80	mm
<b>RM</b>	48.40	8.50	mm
<b>TV</b>	52.10	13.60	mm
<b>FFC</b>	51.70	10.70	mm
<b>AST</b>	54.90	13.70	mm



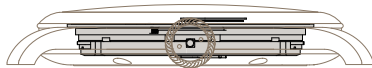
Quantième Perpétuel  
Calibre 1300.3

# CLASSIQUE COLLECTION





**CALIBRE**  
1304



Overall thickness 4.00 mm

**Calibre 1304**

18K rose Gold, manual winding.

Frequency: 21'600 V/h  
Overall diameter: 30.40 mm  
Number of components: 161  
Number of jewels: 22  
Power reserve: 56 h.



F.P. JOURNE  
Invenit et Fecit



CHRONOMÈTRE BLEU  
CLASSIQUE COLLECTION



Chronomètre Bleu\_ Ref. CB  
Calibre 1304

Indications: central hours and minutes, small second.  
Case: Tantalum.  
Dial: blue chrome.  
Hands: ivory color Steel.  
Movement: 18 K rose Gold, manual winding.



F.P. JOURNE  
Invenit et Fecit

60  
50  
40  
30  
01  
20

0  
14  
28  
56

CHRONOMÈTRE SOUVERAIN  
CLASSIQUE COLLECTION



Chronomètre Souverain\_ Ref. CS  
Calibre 1304

Indications: central hours and minutes,  
small second, power reserve.

Case: Platinum or 18 K 6N Gold.

Dial: whitened Silver with applied mirror-polished numerals  
in white Gold or 5N Gold, or whitened guilloché Silver.

Hands: rhodium-plated, blued or 5N gilt Steel.

Movement: 18 K rose Gold, manual winding.



F.P. JOURNE  
Invenit et Fecit

0  
14  
28  
42  
56

09  
10  
20  
30



Chronomètre Souverain

Pt 950

N. 000-CS

FP JOURNE Inv. Fecit

FP JOURNE

18K Gold

Invent et Fecit

Geneva Made

Adjusted in 5 positions

Chronomètre

17 jewels - Cal. 151

17.700.000 vibrations par heure

PLATINUM  
BRACELET



Platinum bracelet available upon  
request for each model.



18K 6N GOLD  
BRACELET



18K 6N Gold bracelet available upon  
request for each model.



F.P. JOURNE  
Invenit et Fecit

26 · 42 · 28 · 14 · 0

CHRONOMÈTRE SOUVERAIN - HAVANA  
CLASSIQUE COLLECTION



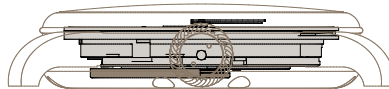
Chronomètre Souverain\_ Ref. CS  
Calibre 1304

Indications: central hours and minutes,  
small second, power reserve.  
Case: Platinum or 18 K 6N Gold.  
Dial: Havana guilloché Silver.  
Hands: ivory color Steel.  
Movement: 18 K rose Gold, manual winding.

**AUTOMATIQUE**  
OCTA CALIBRE 1300.3



2  
4



Overall thickness 5.90 mm

**Calibre 1300.3**  
18 K rose Gold,  
off-centre rotor in 22 K 5N Gold,  
automatic winding.

Frequency: 21'600 V/h  
Overall diameter: 34.60 mm  
Power reserve: 160 ± 12 h.



PT950  
05614

Octa Auto

N. 000-AN

FP JOURNE  
Invent et Fecit

Patented 5 Positions  
Reserve System  
Chronometer  
18K Gold

Or 18  
Carats

FP JOURNE

Inv. Fecit



22

0 · 24 · 48 · 72 · 96 · 120

F.P. JOURNE  
Invent et Fecit

AUTOMATIQUE  
CLASSIQUE COLLECTION



Automatique\_ Ref. AN  
Calibre 1300.3

Indications: off-centre hours and minutes, small second,  
large date with instantaneous jump, power reserve.

Case: Platinum or 18 K 6N Gold.

Dial: white Gold or 5N Gold and whitenéd guilloché Silver.

Hands: blued Steel.

Movement: automatic winding Octa calibre in 18 K rose Gold,  
off-centre rotor in 22 K 5N Gold.





AUTOMATIQUE LUNE  
CLASSIQUE COLLECTION



Automatique Lune\_ Ref. AL2  
Calibre 1300.3

Indications: central hours and minutes, small second,  
large date with instantaneous jump, moon phases, power reserve.

Case: Platinum or 18 K 6N Gold.

Dial: whitened guilloché Silver.

Hands: blued Steel.

Movement: automatic winding Octa calibre in 18 K rose Gold,  
off-centre rotor in 22 K 5N Gold.

AUTOMATIQUE LUNE - HAVANA  
CLASSIQUE COLLECTION



Automatique Lune\_ Ref. AL2  
Calibre 1300.3

Indications: central hours and minutes, small second,  
large date with instantaneous jump, moon phases, power reserve.

Case: Platinum or 18 K 6N Gold.

Dial: Havana guilloché Silver.

Hands: ivory color Steel.

Movement: automatic winding Octa calibre in 18 K rose Gold,  
off-centre rotor in 22 K 5N Gold.





F.P. JOURNE  
Invenit et Fecit

LUNE  
CLASSIQUE COLLECTION



Lune\_ Ref. LN  
Calibre 1300.3

Indications: off-centre hours and minutes, small second, large date with instantaneous jump, moon phases, power reserve.

Case: Platinum or 18 K 6N Gold.

Dial: white Gold or 5N Gold with applied mirror-polished numerals in white Gold or 5N Gold.

Hands: rhodium-plated or 5N gilt Steel and blued Steel.

Movement: automatic winding Octa calibre in 18 K rose Gold, off-centre rotor in 22 K 5N Gold.



22

F.P. JOURNE  
Invenit et Fecit

120

60 55 50 45  
10 5

**DIVINE**  
CLASSIQUE COLLECTION



**Divine\_ Ref. DN**  
**Calibre 1300.3**

Indications: central hours and minutes, small second by disk, large date with instantaneous jump, moon phases, power reserve.

Case: Platinum or 18 K 6N Gold.

Dial: white Gold or 5N Gold and whitened Silver.

Hands: blued Steel.

Movement: automatic winding Octa calibre in 18 K rose Gold, off-centre rotor in 22 K 5N Gold.



22

F.P. JOURNE  
Invenit et Fecit





**DIVINE**  
CLASSIQUE COLLECTION



**Divine\_ Ref. DN**  
**Calibre 1300.3**

Indications: central hours and minutes, small second by disk, large date with instantaneous jump, moon phases, power reserve.

Case: Platinum or 18 K 6N Gold.

Dial: whitened guilloché Silver with applied numerals and windows in matte 5N Gold or matte white Gold.

Hands: rhodium plated or 5N gilt Steel.

Movement: automatic winding Octa calibre in 18 K rose Gold, off-centre rotor in 22 K 5N Gold.



FRI MAR

F.P. JOURNE  
Invenit et Fecit

22

QUANTIÈME PERPÉTUEL  
CLASSIQUE COLLECTION



Quantième Perpétuel\_ Ref. QP  
Calibre 1300.3

Perpetual calendar with instantaneous jump.  
Each date, including leap year, jumps in 0.016 second.

Indications: central hours and minutes,  
leap year indication in red by central hand,  
display of the large date, day and month in aperture, power reserve.

Case: Platinum or 18 K 6N Gold.

Dial: white Gold or 5N Gold and whitened Silver.

Hands: blued Steel.

Movement: automatic winding Octa calibre in 18 K rose Gold,  
off-centre rotor in 22 K 5N Gold.



FRI MAR

F.P. JOURNE  
Invent et Fecit

22

QUANTIÈME PERPÉTUEL  
CLASSIQUE COLLECTION



Quantième Perpétuel\_ Ref. QP  
Calibre 1300.3

Perpetual calendar with instantaneous jump.  
Each date, including leap year, jumps in 0.016 second.

Indications: central hours and minutes,  
leap year indication in red by central hand,  
display of the large date, day and month in aperture, power reserve.

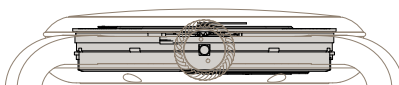
Case: Platinum or 18 K 6N Gold.

Dial: whitened guilloché Silver with applied numerals  
and windows in matte 5N Gold or matte white Gold.

Hands: rhodium-plated or 5N gilt Steel.

Movement: automatic winding Octa calibre in 18 K rose Gold,  
off-centre rotor in 22 K 5N Gold.

CHRONOMÈTRE OPTIMUM  
CALIBRE 1510



Overall thickness 5.80 mm

**Calibre 1510**

18K rose Gold, manual winding.

Frequency: 21'600 V/h  
Overall diameter: 34.00 mm  
Number of components: 240  
Number of jewels: 44  
Power reserve: 70 h.



Chronometre

Optimum

CHRONOMETRE  
OPTIMUM

Cal. 1570

F.P. JOURNE  
Invent et Fecit

PT950

N° 000-000-000

F.P. JOURNE

Inv. Fecit



F.P. JOURNE Invenit et Fecit

45 50 55 60 5 10 15 20 25 30 35 40

12 1 2 3 4 5 6 7 8 9 10 11

40 20 0

Remontoir d'Égalité avec Echappement BHP



CHRONOMÈTRE OPTIMUM  
CLASSIQUE COLLECTION



Chronomètre Optimum\_ Ref. CO  
Calibre 1510

High-precision chronometer with double barrel,  
one-second constant force remontoire, natural dead-beat second,  
High Performance Bi-axial Escapement "EBHP" functioning without oil.

Indications: off-centre hours and minutes,  
small second, power reserve.

Case: Platinum or 18 K 6N Gold.

Dial: white Gold or 5N Gold and whitened guilloché Silver.

Hands: blued Steel.

Movement: 18K rose Gold, manual winding.

ntoirs d'Égalités



F.P.JOURNE  
Invenit et Fecit

METRE A RESONANCE



RESONANCE

SOUVERAINE

N°000-RQ

CHRONOMETRE A

RESONANCE

F.P. JOURNE Invent et Fecit

Cal. 1520  
21 Jewels

PT950

INVENT. FECIT

F.P. JOURNE



Remontoirs d'Égalités

The dial features a central window revealing the mechanical movement, including a red jewel. Two large semi-circular subdials with 60-minute scales are positioned on either side of the center. Each subdial has a blue hand and a white background with a fine grid pattern. Two smaller subdials are located at the bottom of the dial, also with 60-minute scales and blue hands. The main dial has a white background with a fine grid pattern and Arabic numerals for the hours.

F.P. JOURNE  
Invenit et Fecit  
CHRONOMETRE A RESONANCE

CHRONOMÈTRE À RÉSONANCE  
CLASSIQUE COLLECTION



Chronomètre à Résonance\_ Ref. RQ  
Calibre 1520

The Chronomètre à Résonance is the only wristwatch in the world using the natural physical phenomenon of acoustic resonance.

Indications: double display, analog dial (24h) on the left  
analog dial (12h) on the right, power reserve.

Case: Platinum or 18 K 6N Gold.

Dial: white Gold or 5N Gold and whitened guilloché Silver.

Hands: blued Steel.

Movement: 18 K rose Gold, manual winding.

Power reserve: 42 h.

RÉPÉTITION SOUVERAINE  
CALIBRE 1408



5  
0



Overall thickness 4.50 mm

**Calibre 1408**

18K rose Gold, manual winding.

Frequency: 21'600 V/h  
Overall diameter: 32.20 mm  
Number of components: 312  
Number of jewels: 33  
Power reserve: 56 h.



F.P. JOURNE  
Invenit et Fecit

35  
42 · 33 · 14 · 0



F.P. JOURNE  
Invenit et Fecit

36 · 42 · 28 · 14 · 0



RÉPÉTITION SOUVERAINE  
CLASSIQUE COLLECTION



Répétition Souveraine\_ Ref. RM  
Calibre 1408

Ultra-slim and ultra-light minute repeater,  
movement height 4.50 mm.

Indications: centred hours and minutes, small second,  
strikes the hours, quarters and minutes at will, power reserve.

Case: Steel.

Dial: whitened guilloché Silver.

Hands: blued Steel.

Movement: 18 K rose Gold, manual winding.



F.P. JOURNE  
Invent et Fecit

0  
H  
28  
F.P.  
35



F.P. JOURN  
Invenit et Fe

RÉPÉTITION SOUVERAINE  
CLASSIQUE COLLECTION



Répétition Souveraine\_ Ref. RM  
Calibre 1408

Ultra-slim and ultra-light minute repeater,  
movement height 4.50 mm.

Indications: centred hours and minutes, small second,  
strikes the hours, quarters and minutes at will, power reserve.

Case: Steel.

Dial: whitened guilloché Silver or smoked sapphire glass.

Hands: blue Steel.

Movement: 18K rose Gold, manual winding.



F.P. JOURNE  
Invenit et Fecit

42 · 28 · 14 · 0  
1596



Tourbillon Souverain

N. 000 - TV

FP. JOURNE

Inv. Fecit

PT950

Geneva Made  
FP. JOURNE - INV. FECIT  
CHRONOMETRE A TOURBILLON

Cal 1519 - 32 Jewels - 18K Gold Movement







TOURBILLON SOUVERAIN  
CLASSIQUE COLLECTION



Tourbillon Souverain\_ Ref. TV  
Calibre 1519

Vertical tourbillon making one revolution in 30 seconds,  
with constant force remontoire and natural dead-beat second.

Indications: off-centre hours and minutes,  
small second, power reserve.

Case: Platinum or 18 K 6N Gold.

Dial: 18 K rose Gold bridges with guilloché "Clous de Paris"  
and enamel Grand Feu hour dial on white Gold.

Hands: blued Steel.

Movement: 18 K rose Gold, manual winding.

Power reserve: 80 h.



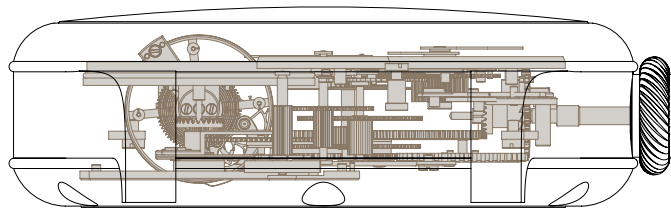
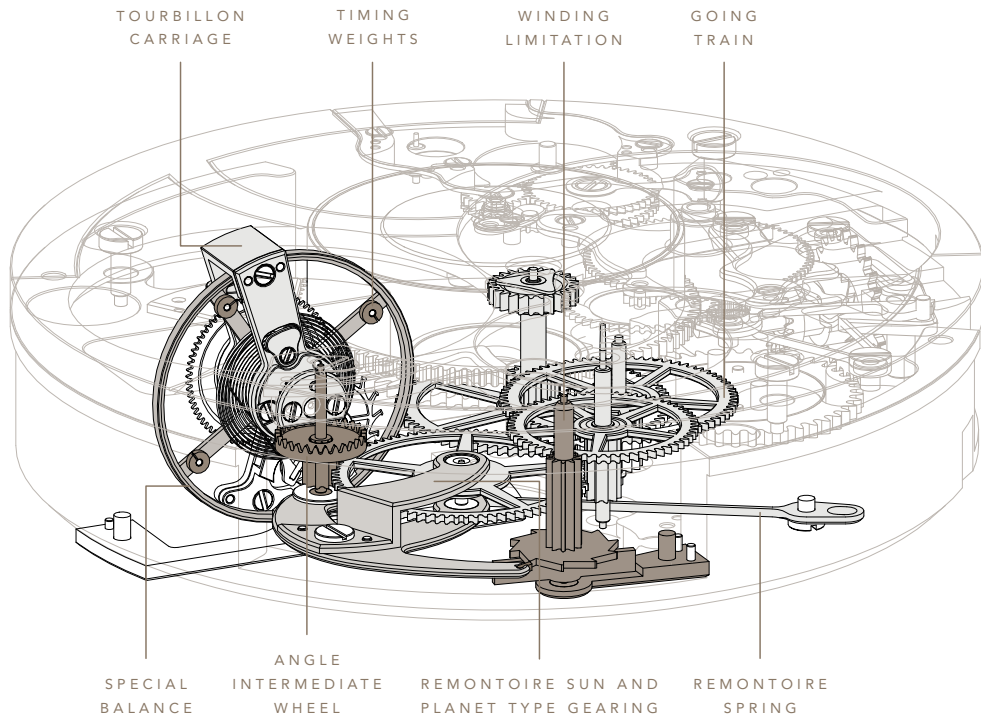
AU750

CHRONOMETRE 33 Jewels - 18K Gold Movement

CHRONOMETRE  
Geneva Made  
L'INV. PECT  
CHRONOMETRE

CHRONOMETRE

TOURBILLON SOUVERAIN  
CALIBRE 1519



**Movement dimensions**  
Overall height: 10.00 mm  
Overall diameter: 34.60 mm



FFC  
CLASSIQUE COLLECTION



**FFC\_ Ref. FFC**  
**Calibre 1300.3**

Indications: hours and minutes.

Case: Platine.

Dial: blackened with an engraved Titanium hand.

Movement: 18 K rose Gold and bridge with  
Titalyt® treatment, 22 K white Gold unidirectional  
automatic winding rotor.

Power reserve: 120 ± 12 h.



Pt950

Vaucanson

Geneva Made - Adjusted 5 Positions  
Exclusive Power Reserve Chronometer  
Precision Movement  
185,000

F.P. COPPOLA

F.P. JOURNE

F.P. JOURNE

Inv. Fecit





ASTRONOMIC

F.P. JOURNE

Invenit et Fecit



ASTRONOMIC SOUVERAINE  
CLASSIQUE COLLECTION



Astronomic Souveraine\_ Ref. AST  
Calibre 1619

Indications: off-centre hours and 2nd time zone at 3 o'clock,  
central minutes, sidereal hours and minutes at 9 o'clock, power reserve,  
natural dead-beat second, sunrise and sunset, day/night,  
moon phases, tourbillon with remontoire, minute repeater,  
Back indications: annual calendar, equation of time.

Case: Steel.

Dial: white Gold and whitened guilloché Silver, disks in sapphire glass.

Hands: blued and 5N gilt Steel.

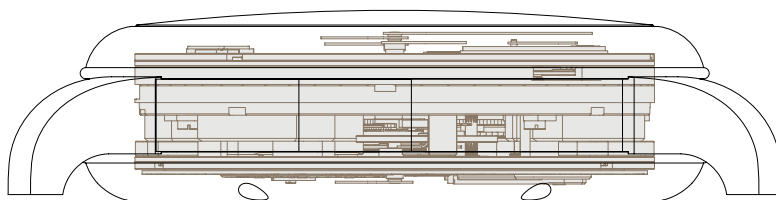
Movement: 18 K rose Gold, manual winding.

Power reserve: 40 h.



**ASTRONOMIC SOUVERAINE**  
18 FUNCTIONS AND COMPLICATIONS

- 1** Date, annual calendar **2** Equation of time **3** Double barrel  
**4** Constant force remontoire **5** 60-second tourbillon  
**6** Minute repeater, strikes the hours, quarters and minutes  
**7** Sidereal hours **8** Sidereal minutes **9** Small second by disk  
**10** Power reserve **11** Moon phases in sapphire glass **12** 2nd time zone  
**13** Hours **14** Crown, all settings **15** Minutes  
**16** Sunset **17** Sunrise **18** Day/Night in sapphire glass



**Movement dimensions**

Overall height: 9.30 mm  
Overall diameter: 37.00 mm

**Number of components**

Movement: 758



N. Copernic

Astronomic

♈ TAURUS 30 20 10 31  
♉ ARIES 20 10 31  
♊ PISCES 29 20 10  
♋ MARS 10 15  
♌ GEMINI 20 10 31  
♍ JUNIUS 20 30  
♎ ANCIER II 30  
♏

RETARDE  
AVANCE

R.P. JOURNE  
Inventeur et Fondateur



ic Tourbillon

QUARIUS ♈ CAPRICORNUS ♐ SAGITTARIUS ♏ SCORPIO ♏ LIBRA ♎ VIRGO ♍ JULIUS ♉ LEO ♌ AUGUSTUS ♋

RIUS ♉ JANUARIUS ♀ FEBRUARIUS ♀ MARCHIUS ♀ APRILIS ♀ MAYIUS ♀ JUNIUS ♀ SEPTIMUS ♀ AUGUSTUS ♀ SEPTIMUS ♀ OCTOBERIUS ♀ NOVEMBERIUS ♀ DECEMBERIUS ♀

Nicolas Copernic

63 Jewels

Répétition

THE Inventit et Fecit



ASTRONOMIC

F.P. JOURNE

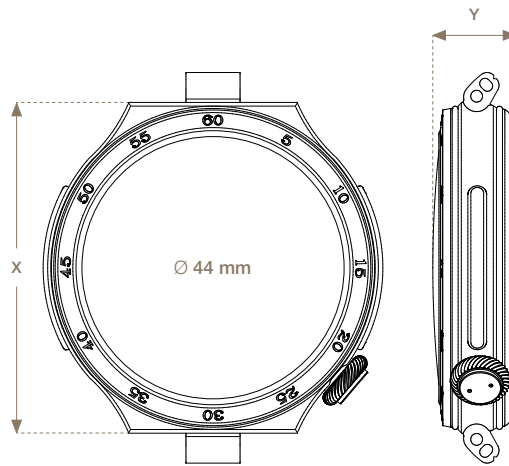
Invenit et

# LINESPORT COLLECTION





**CASES DIMENSIONS**  
LINESPORT COLLECTION



7  
7

Models	X	Y	
ARS2	44	11	mm
AR2	44	11	mm
CTS2	44	10.85	mm
CT2	44	10.85	mm
CMS	44	12.10	mm
CM	44	12.10	mm



60

55

5

12

1

10

Octa S

2

22

15

3

10

9

8

Invenit et Fecit

F.P. JOURNE

4

20

5

40

7

25

30

35

AUTOMATIQUE RÉSERVE  
LINESPORT COLLECTION



Automatique Réserve\_ Ref. ARS2  
Calibre 1300.3

Indications: central hours and minutes, small second,  
large date with instantaneous jump, day/night indication, power reserve.  
Case: Titanium with engraved bezel and ceramic inlay.  
Dial: slate-grey or yellow color Aluminum alloy, engraved sapphire glass counter,  
luminescent indexes and luminescent applied numerals.  
Hands: luminescent in Steel, ivory color Steel and red lacquered Titanium.  
Movement: automatic winding Octa calibre in  
Aluminum alloy with off-centre oscillating weight in Titanium and Tungsten.  
Power reserve: 160 ± 12 h.  
Overall weight: 83 gr.



AUTOMATIQUE RÉSERVE  
LINESPORT COLLECTION



**Automatique Réserve\_ Ref. AR2**  
**Calibre 1300.3**

Indications: central hours and minutes, small second,  
large date with instantaneous jump, day/night indication, power reserve.  
Case: 18 K 6N Gold or Platinum with engraved bezel and ceramic inlay.  
Dial: ruthenium-plated or blue-mauve color Silver guilloché,  
counter in whitened Silver guilloché,  
applied numerals in matte 5N Gold or matte white Gold.  
Hands: 5N gilt Steel or rhodium-plated and blued Steel.  
Movement: automatic winding Octa calibre in  
18 K rose Gold with off-centre oscillating weight in 22 K 5N Gold.  
Power reserve: 160 ± 12 h.



60

55

5

12

Centigraphe S

10

50

11

3

15

45

9

F.P. JOURNE

Invenit et Fecit

40

8

4

20

7

5

35

30

25

CENTIGRAPHE  
LINESPORT COLLECTION



Centigraphe\_ Ref. CTS2  
Calibre 1506

The Centigraphe measures the time of one hundredth of a second.

Indications: central hours and minutes, 1-second counter at 10 o'clock,  
20-second counter at 2 o'clock, 10-minute counter at 6 o'clock.

Case: Titanium with engraved bezel and ceramic inlay.

Dial: slate-grey or yellow color Aluminum alloy, engraved sapphire glass counters,  
luminescent indexes and luminescent applied numerals.

Hands: luminescent in Steel and red lacquered Titanium.

Movement: Aluminum alloy, manual winding. Power reserve: 80 h.

Overall weight: 81 gr.





CENTIGRAPHE  
LINESPORT COLLECTION



Centigraphe\_ Ref. CT2  
Calibre 1506

The Centigraphe measures the time of one hundredth of a second.

Indications: central hours and minutes, 1-second counter at 10 o'clock,  
20-second counter at 2 o'clock, 10-minute counter at 6 o'clock.

Case: Platinum or 18K 6N Gold with engraved bezel and ceramic inlay.

Dial: blue-mauve color or ruthenium-plated Silver guilloché,  
counters in whitened Silver guilloché,  
applied numerals in matte white Gold or matte 5N Gold.

Hands: rhodium-plated or 5N gilt in Steel and red lacquered Titanium.

Movement: 18 K rose Gold, manual winding.

Power reserve: 80 h.



F.P. JOURNE  
Invent et Fecit

22

BASE 60 1000M

CHRONOGRAPHE RATTRAPANTE  
LINESPORT COLLECTION



**Chronographe Rattrapante\_ Ref. CMS  
Calibre 1518**

This chronograph features a power reserve of 80 hours making it possible to efficiently use the chronograph with the rattrapante function after 2 days and a very large date in a window providing an increased readability.

Indications: central hours, minutes and seconds, very large date, 60-second counter at 9 o'clock, 30-minute jumping chronograph counter at 3 o'clock.

Case: Titanium with engraved tachymetric bezel and ceramic inlay.

Dial: slate-grey or yellow color Aluminum alloy, engraved sapphire glass counters, luminescent indexes and luminescent applied numerals.

Hands: luminescent in Steel, red lacquered Titanium, black and ivory color Steel.

Movement: Aluminum alloy, manual winding.

Overall weight: 81 gr.



BASE 60 1000M

F.P. JOURNE  
Invenit et Fecit

22

CHRONOGRAPHE RATTRAPANTE  
LINESPORT COLLECTION



Chronographe Rattrapante\_ Ref. CM  
Calibre 1518

This chronograph features a power reserve of 80 hours making it possible to efficiently use the chronograph with the rattrapante function after 2 days and a very large date in a window providing an increased readability.

Indications: central hours, minutes and seconds, very large date, 60-second counter at 9 o'clock, 30-minute jumping chronograph counter at 3 o'clock.

Case: Platinum or 18 K 6N Gold with engraved tachymetric bezel and ceramic inlay.

Dial: blue-mauve color or ruthenium-plated guilloché Silver, counters in whitened guilloché Silver, applied numerals in matte white Gold or matte 5N Gold.

Hands: rhodium-plated or 5N gilt in Steel, blued and ivory color Steel.

Movement: 18 K rose Gold, manual winding.

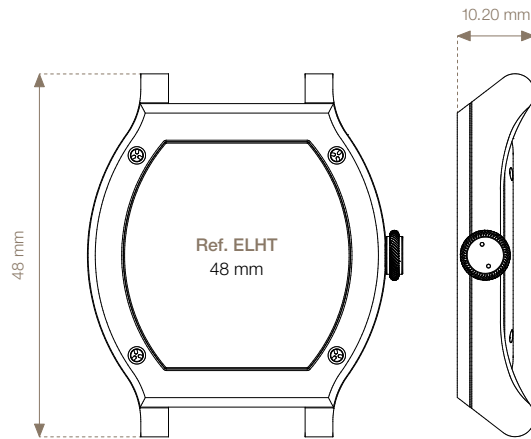
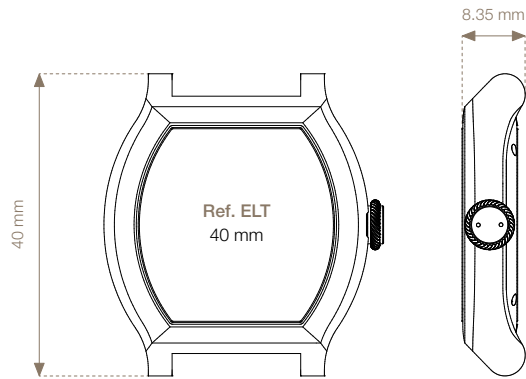


# ÉLÉGANTE COLLECTION





CASES DIMENSIONS  
ÉLÉGANTE COLLECTION





F.P. JOURNE  
Invenit et Fecit



ÉLÉGANTE  
BY F.P.JOURNE



élégante\_ Ref. ELT  
Calibre 1210

Indications: central hours and minutes, small second.

1. Case: Flat Tortue® shape in polished Titanium, screwed crown, 3 atm water resistant.  
Dial: luminescent white centre. Hands: blued Steel. Movement: electromechanical.  
Autonomy: up to 10 years in daily use, 18 years in standby mode.
  2. Set with 38 brilliant-cut diamonds VVS F/G ~ 0.50 carat.
  3. Set with 222 brilliant-cut diamonds VVS F/G ~ 1.56 carats.  
Dial: white sapphire glass.
- Strap: rubber available in 11 colors.







F.P. JOURNE  
Invent et Fecit



ÉLÉGANTE  
BY F.P.JOURNE



élégante\_ Ref. ELT  
Calibre 1210

Indications: central hours and minutes, small second.

1. Case: Flat Tortue® shape in Titanium with Titalyt® treatment, screwed crown, 3 atm water resistant.  
Dial: luminescent white centre. Hands: blued Steel. Movement: electromechanical.  
Autonomy: up to 10 years in daily use, 18 years in standby mode.
  2. Set with 38 brilliant-cut diamonds VVS F/G ~ 0.50 carat.
  3. Set with 222 brilliant-cut diamonds VVS F/G ~ 1.56 carats.  
Dial: black sapphire glass. Hands: rhodium-plated Steel.
- Strap: rubber available in 11 colors.









F.P. JOURNE  
Invenit et Fecit

60  
50  
40  
30  
20  
10

12  
11  
10  
9  
8  
7  
6  
5  
4  
3  
2  
1

ÉLÉGANTE  
BY F.P.JOURNE



1  
0  
3

**élégante\_ Réf. ELT**  
**Calibre 1210**

Indications: central hours and minutes, small second.

Case: Flat Tortue® shape in Titanium set with 222 brilliant cut diamonds VVS F/G ~ 1.56 carat, screwed crown, 3 atm water resistant.

Dial: white sapphire centre. Hands: blued Steel. Movement: electromechanical.

Autonomy: up to 10 years in daily use, 18 years in standby mode.

Strap: Titanium set with 382 VS1 F/G ~ 3.23 carat brilliant-cut diamonds and rubber available in 8 colours.

ÉLÉGANTE  
BY F.P.JOURNE



élégante\_ Réf. ELT  
Calibre 1210

Indications: central hours and minutes, small second.

Case: Flat Tortue® shape in Titanium with Titalyt® treatment set with 222 brilliant cut diamonds VVS F/G ~ 1.56 carat, screwed crown, 3 atm water resistant.

Dial: black sapphire centre. Hands: rhodium-plated Steel. Movement: electromechanical.

Autonomy: up to 10 years in daily use, 18 years in standby mode.

Strap: Titanium with Titalyt® treatment set with 382 VS1 F/G ~ 3.23 carat brilliant-cut diamonds and rubber available in 8 colours.



F.P. JOURNE  
Invenit et Fecit







F.P. JOURNE  
Invenit et Fecit



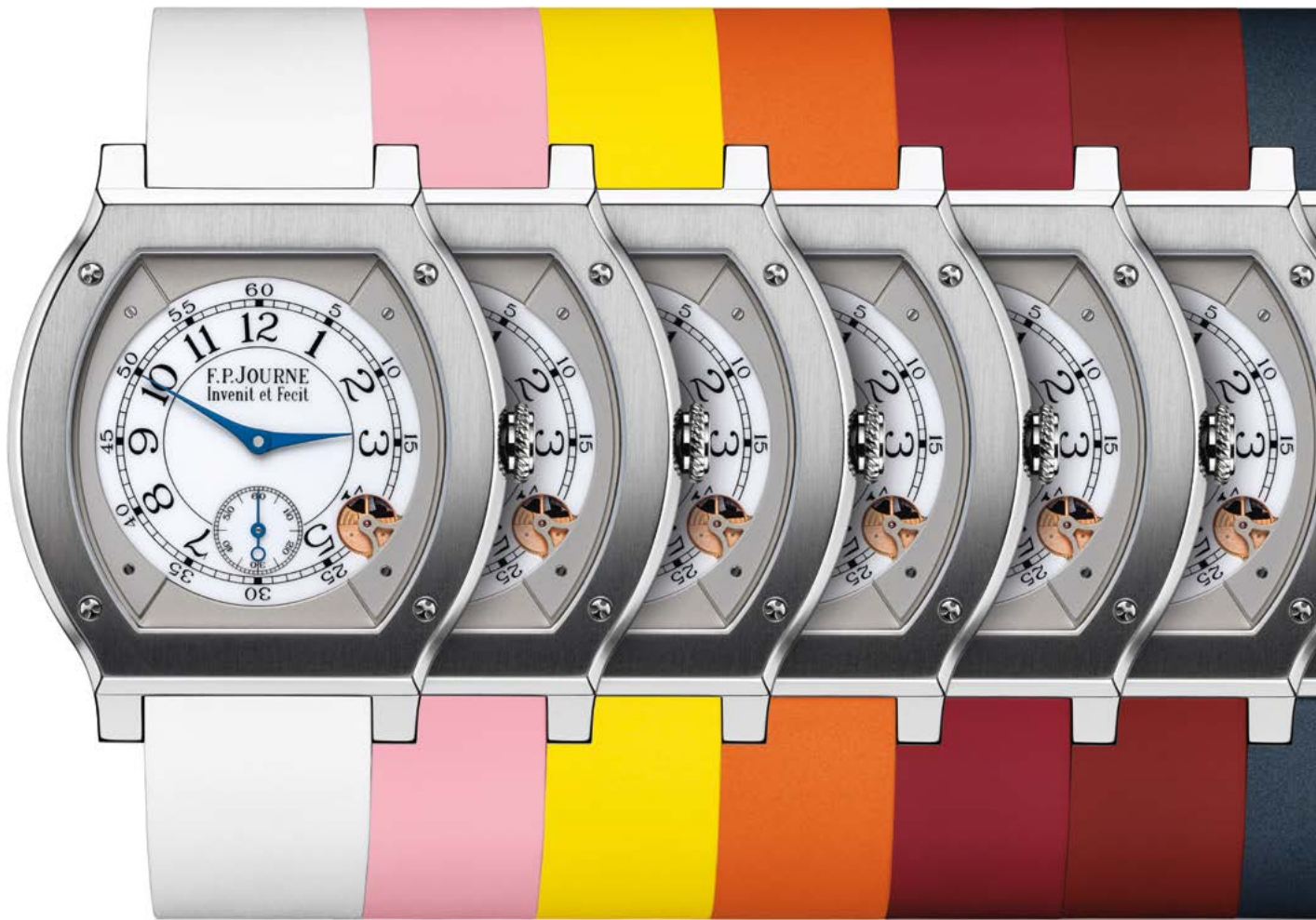
ÉLÉGANTE  
BY F.P.JOURNE

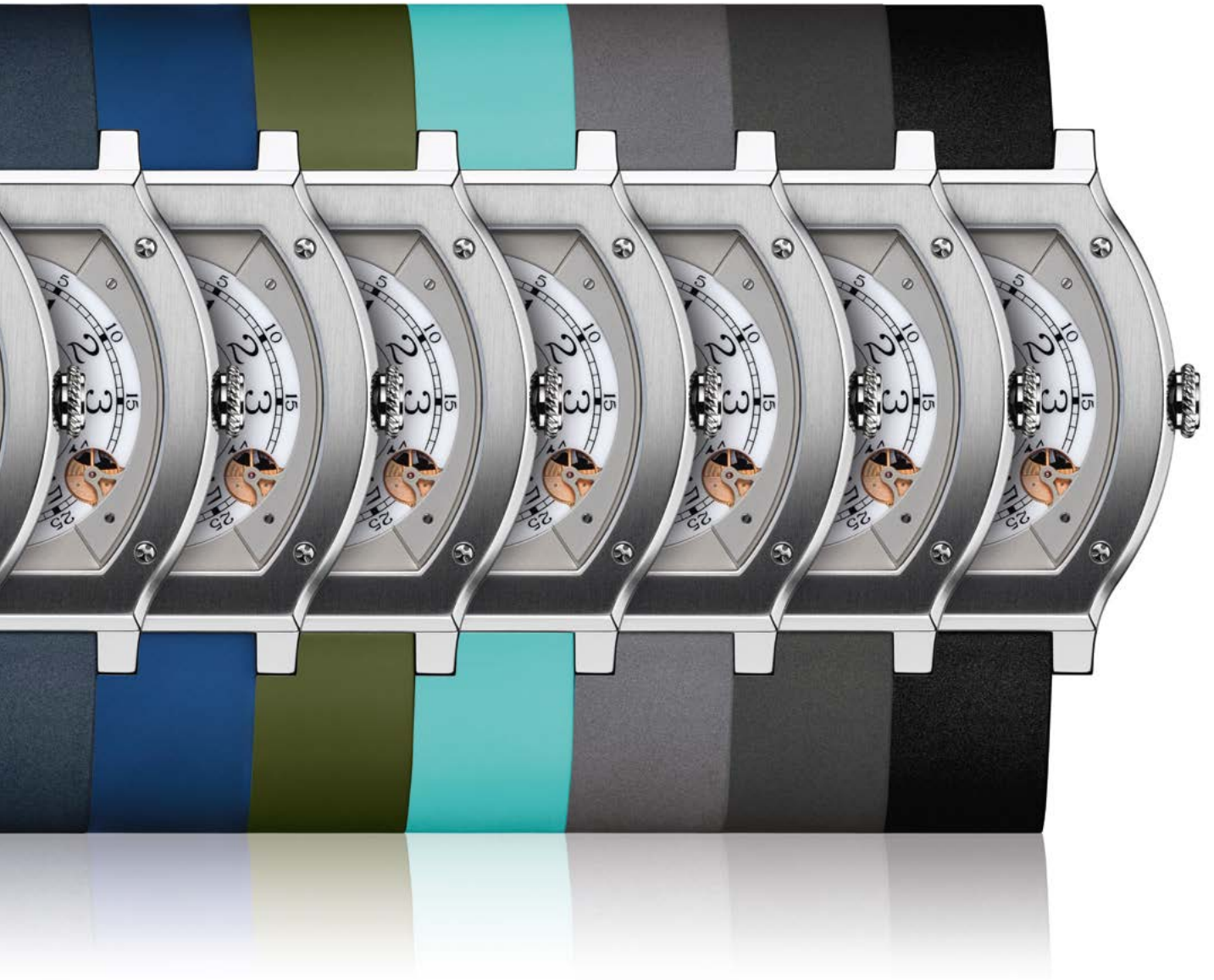


1  
0  
9

élégante\_ Ref. ELHT  
Calibre 1210

Indications: central hours and minutes, small second.  
Case: Flat Tortue® shape in polished and satin-brushed Titanium with screwed Titanium or Titanium set bezel 418 brilliant-cut diamonds VVS F/G ~1.06 carat, screwed crown, 3 atm water resistant.  
Dial: luminescent white centre. Hands: blued Steel. Movement: electromechanical.  
Autonomy: up to 10 years in daily use, 18 years in standby mode.  
Strap: rubber available in 13 colors.







F.P. JOURNE  
Invent et Fecit

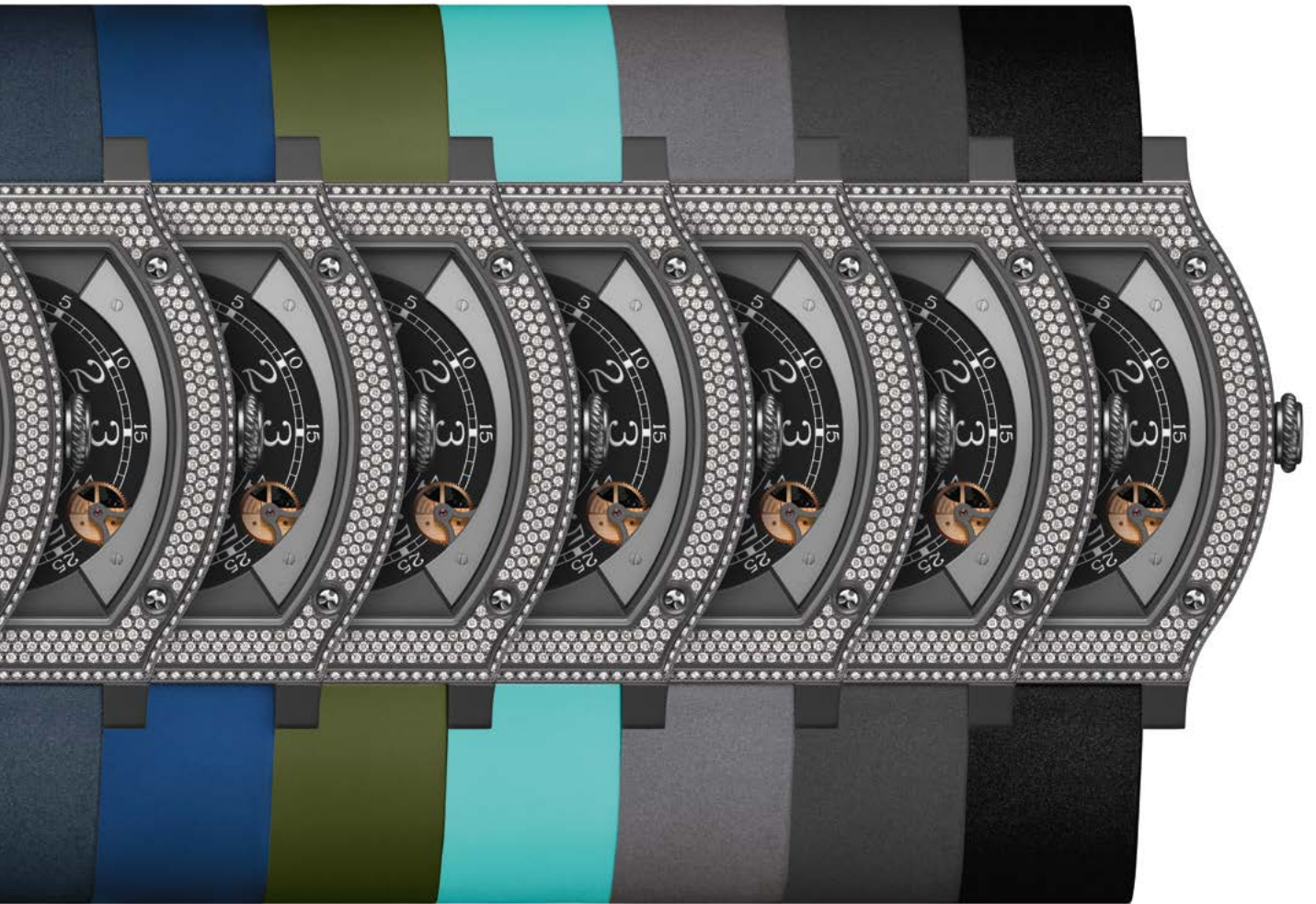
ÉLÉGANTE  
BY F.P.JOURNE



élégante\_ Ref. ELHT  
Calibre 1210

Indications: central hours and minutes, small second.  
Case: Flat Tortue® shape in Titanium with Titalyt® treatment, Titalyt® or Titalyt® set screwed bezel with 418 brilliant-cut diamonds VVS F/G ~1.06 carat, screwed crown, 3 atm water resistant.  
Dial: luminescent black centre. Hands: blued Steel. Movement: electromechanical.  
Autonomy: up to 10 years in daily use, 18 years in standby mode.  
Strap: rubber available in 13 colors.







F.P. JOURNE  
Invenit et Fecit



ÉLÉGANTE  
BY F.P.JOURNE



élégante\_ Réf. ELHT  
Calibre 1210

Indications: central hours and minutes, small second.

Case: Flat Tortue® shape in Titanium or in Titanium with Titalyt® treatment, bezel set with 52 baguette-cut ceramic glass stones, screwed crown, 3 atm water resistant.

Dial: white or black luminescent centre. Hands: blued or rhodium-plated Steel.

Movement: electromechanical. Autonomy: up to 10 years in daily use, 18 years in standby mode.

Strap: rubber available in 13 colours.



F.P. JOURNE  
Invenit et Fecit







F.P. JOURNE

F.P. JOURNE  
Invenit et Fecit

élégante

Calibre 1210  
Geneva Made - 18 Jewels

EXCLUSIVE AND  
PATENTED SYSTEM

Invenit et Fecit

No. A-000-ELT

ANTHONY

